

MAX-FLOW

Electric Machinery CO., LTD.



MAX FLOW

Fan Manufacturer of Taiwan

MF 12038



SIZE : 120X120X38mm(4.72"X4.72"X1.50")

CONSTRUCTION :

Die-cast aluminum housing

Glass fiber reinforced plastic :

Impeller and housing PBT are UL 94V-0 rating

OPERATING TEMPERATURE :

Ball bearing -30c to +75c Sleeve bearing -10c to +70c

INSTULATION RESISTANCE :

10 meg Ohm min. at 500VDC(between frame and terminal)

DIELECTRIC STRENGTH :

5 mA max. at 500 VAC 60Hz one minute

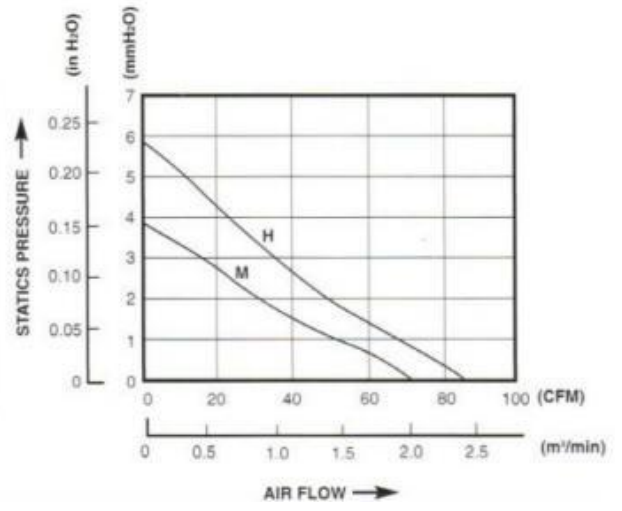
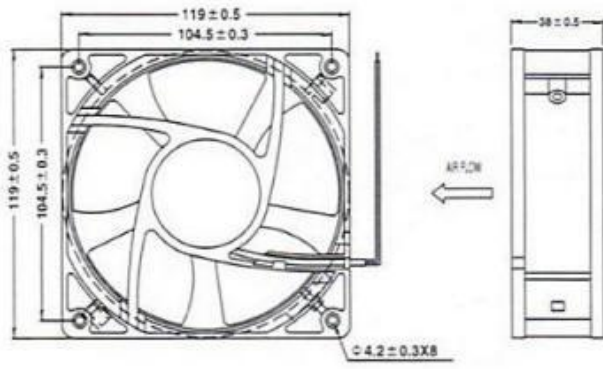
(between frame and terminal)

FUNCTION : frequency generator or rotation detection signal option

WEIGHT : 380 grams

120 x 120 x 38 mm

MODEL NO.	BEARING	VOLTAGE	CURRENT	INPUT POWER	SPEED	AIR FLOW		PRESSURE		NOISE
		(VDC)	(A)	(W)	(R.P.M)	CFM	m ³ min	mmAq	IN H ₂ O	dB-A
MF1238D1L	Ball Sleeve	12(7-14)	0.22	2.64	1950	71.6	2.03	3.25	0.13	36.2
MF1238D1M	Ball Sleeve	12(7-14)	0.39	4.68	2800	105.46	2.98	6.73	0.26	46.7
MF1238D1H	Ball Sleeve	12(7-14)	0.62	7.44	3200	120.1	3.34	8.51	0.33	48.0
MF1238D1HHH	Ball Sleeve	12(7-14)	0.96	11.52	3800	181.6	5.14	13.46	0.53	57.5
MF1238D2L	Ball Sleeve	24(15-27)	0.10	2.40	1950	71.6	2.03	3.25	0.13	36.2
MF1238D2M	Ball Sleeve	24(15-27)	0.26	6.24	2800	105.46	2.98	6.73	0.26	46.7
MF1238D2H	Ball Sleeve	24(15-27)	0.38	9.12	3200	120.1	3.34	8.51	0.33	48.0
MF1238D2HH	Ball Sleeve	24(15-27)	0.58	13.92	3800	181.6	5.14	13.46	0.53	57.5
MF1238D4L	Ball Sleeve	48(35-57)	0.09	4.32	1950	71.6	2.03	3.25	0.13	36.2
MF1238D4M	Ball Sleeve	48(35-57)	0.18	8.64	2800	105.46	2.98	6.73	0.26	46.7
MF1238D4H	Ball Sleeve	48(35-57)	0.22	10.56	3200	120.1	3.34	8.51	0.33	48.0
MF1238D4HH	Ball Sleeve	48(35-57)	0.28	13.44	3800	181.6	5.14	13.46	0.53	57.5



※Reference only Specifications