

MAX-FLOW

Electric Machinery CO., LTD.



MAX FLOW

Fan Manufacturer of Taiwan

MF 9225



SIZE : 92X92X25mm(3.62”X3.62”X0.98”)

CONSTRUCTION :

Glass fiber reinforced plastic :

Impeller and housing PBT are UL 94V-0 rating

OPERATING TEMPERATURE :

Ball bearing -30c to +75c Sleeve bearing -10c to +70c

INSTULATION RESISTANCE :

10 meg Ohm min. at 500VDC(between frame and terminal)

DIELECTRIC STRENGTH :

5 mA max. at 500 VAC 60Hz one minute

(between frame and terminal)

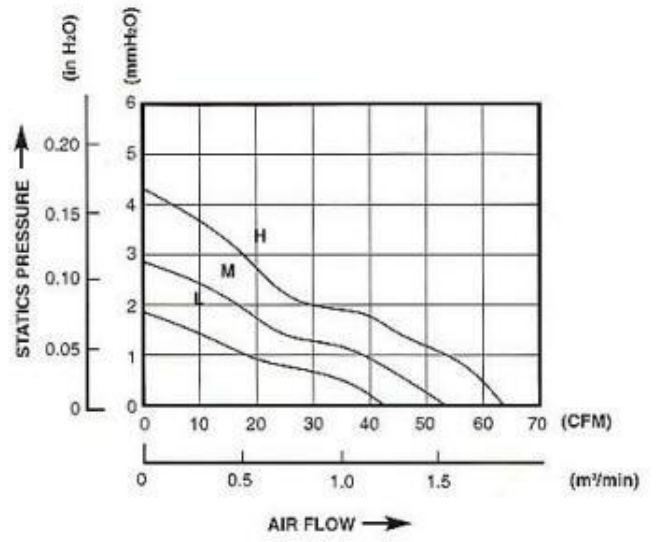
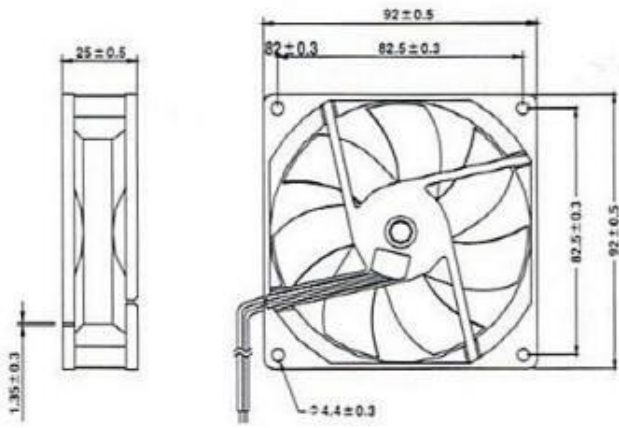
FUNCTION : auto –restart option

frequency generator or rotation detection signal option

WEIGHT : 78 grams

92 x 92 x 25 mm

MODEL NO.	BEARING	VOLTAGE	CURRENT	INPUT POWER	SPEED	AIR FLOW		PRESSURE		NOISE
		(VDC)	(A)	(W)	(R.P.M)	CFM	m ³ min	mmAq	IN H ₂ O	dB-A
MF9225D05M	Ball Sleeve	5(3.5-5.5)	0.22	1.10	2000	40.20	1.14	2.70	0.11	27.0
MF9225D05H	Ball Sleeve	5(3.5-5.5)	0.34	1.70	2500	50.10	1.42	4.15	0.16	32.0
MF9225D1L	Ball Sleeve	12(7-14)	0.14	1.68	2500	50.10	1.42	4.15	0.16	32.0
MF9225D1M	Ball Sleeve	12(7-14)	0.20	2.40	3000	59.60	1.69	5.92	0.23	26.8
MF9225D1H	Ball Sleeve	12(7-14)	0.38	4.56	3500	68.40	1.94	8.02	0.32	40.9
MF9225D2L	Ball Sleeve	24(15-27)	0.06	1.44	2000	40.20	1.14	2.70	0.11	27.0
MF9225D2M	Ball Sleeve	24(15-27)	0.09	2.16	2500	50.10	1.42	4.15	0.16	32.0
MF9225D2H	Ball Sleeve	24(15-27)	0.11	2.64	3000	59.60	1.69	5.92	0.23	26.8
MF9225D2HH	Ball Sleeve	24(15-27)	0.20	4.80	3500	68.40	1.94	8.02	0.32	40.9



※Reference only Specifications