

MAX-FLOW

Electric Machinery CO., LTD.



MAX FLOW Fan Manufacturer of Taiwan



<p>Enameled Pure Copper Wire</p> <p>Soldering fixed</p> <p>IP55</p> <p>Insulation Processes</p> <p>Silicon steel sheet {Hhigh}</p>	<p>The motor movement of MAX-FLOW fan is twined by copper-covered wire. The advantages of the motor movement are higher speed, faster radiating, and good conductivity, which are available of operations of higher standard. After special processing the motor movement could be more preservable and rustproof.</p>
<p>Safe Terminal</p> <p>QC Number</p> <p>161825272931</p> <p>more stable</p>	<p>The use of existing market often the 120MM industrial fan terminal to use more pressing and fixing, save this, but prone to shedding problems. MAX-FLOW terminal series products are improved as screw fixation processes, further enhance the stability of the product. Max-Flow product appearance test Individually marked serial number to track product usage, tracking and quality warranty.</p>
<p>Impeller : PBT + 30% Fiber glass UL94V-0</p> <p>Silicon Steel Sheet Rotor</p> <p>The thermostable work environment High-intensity of material design Flabellum precision balanced</p> <p>Pure copper of axis pedestals</p>	<p>MAX-FLOW fan blades be made of PBT + 30% Fiber glass,the internal structure of the silicon Steel Sheet Rotor and Pure copper of axis pedestal. Therefore greatly enhance the hardness of the blades, with the ability to adapt to the harsh working environment.</p>
<p>Slide design</p> <p>Simply replace the filter</p>	<p>The MAX-FLOW filter is the most inquired product so far. The filter is equipped with filter cotton of high standard , and the IP44 grade of waterproof and dustproof along with high air volume. Currently the filter is extensively used on dustproof equipment for medical industry and other machines that need better protection.</p>

Copyright 2013 Max-Flow Electric Machinery CO., LTD. All rights reserved.
 No 19, Lane 349, Hwa Cheng Rd., Hsin Chang City, Taipei Huian, Taiwan, R. O. C.
 Tel:886-2-85218198 Fax:886-2-85218201 Email:muya@ms5.hinet.net

MF 17251



Size : 172 x 150 x 51 mm (6.77 x 5.91 x 2.01 inch)

Motor : Shaded Pole

Frame : Aluminum Die-Cost

Impeller : PBT + 30% Fiber Glass. UL94V-0

Lead Wire : 1007# 18AWG. UL/CSA

Insulation Resistance :

Min 10 M Ohm at 500VDC Between Terminal and the Frame

Dielectric Strength : 1 min at 1,500VAC 50/60Hz

B Bearing Type : B: 2 Ball Bearing. S: Sleeve Bearing

Operating Temp : Ball Bearing: Within -20 ~ 80°C Sleeve

Bearing: Within -10 ~ 56°C

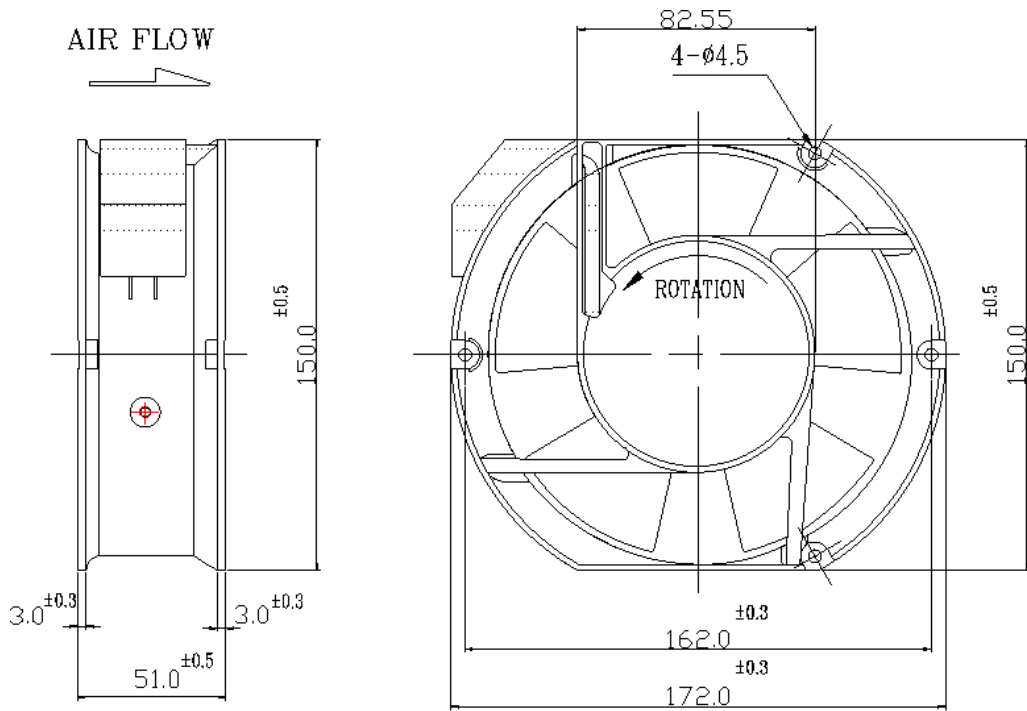
Life Expectancy : Ball Bearing: 50,000 hours at 60C

Sleeve Bearing: 20,000 hours at 45°C

Net Weight : 920 grams

172 X 150 X 51 mm

MODEL NO.	Bearing	Rated Voltage (V)	Freg (Hz)	Current (A)	input power (W)	Speed (R.P.M)	Max.air Flow CFM	Max.air Pressure INH ₂ O	Noise dB-A	Weight grams
17251A1H	Sleeve Ball	110/120	50/60	0.55/0.48	45/52	2800/3100	190/220	0.55/0.72	53/59	920
17251A2H	Sleeve Ball	220/240	50/60	0.35/0.28	44/51	2800/3100	190/220	0.55/0.72	53/59	920
17251A3H	Sleeve Ball	380	50/60	0.05/0.04	19/15	2600/2300	170/145	0.43/0.18	53/59	920
		415	50/60	0.09/0.1	37/42	2600/2700	170/185	0.43/0.41	53/59	920
17251A4H	Sleeve Ball	440	50/60	0.09/0.1	37/42	2600/2800	170/190	0.43/0.53	53/59	920
17251DVH (Dual Voltage)	Sleeve Ball	110/120	50/60	0.55/0.48	45/52	2800/3100	190/220	0.55/0.72	53/59	920
		220/240	50/60	0.35/0.28	44/51	2800/3100	190/220	0.55/0.72	53/59	920



UNITS:mm

